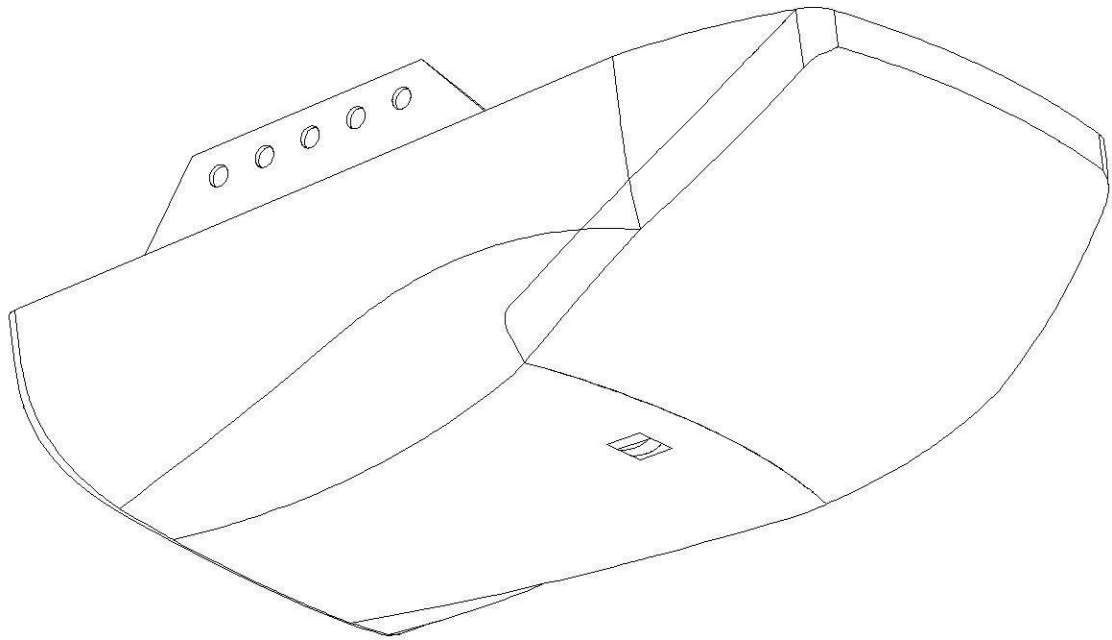


# Sectional Opener



To view our how to install video visit:  
[www.autoopeners.com.au](http://www.autoopeners.com.au)

1300 42 88 66



To view our how to install video visit:  
[www.autoopeners.com.au](http://www.autoopeners.com.au)

# Table of Contents

- Installation Instructions ..... 4**
  - Site Requirements..... 4
  - Setup Requirements..... 4
  - Installation (Steel Track) ..... 6
  - Installation (Sectional Steel Track)..... 7
  
- Door Travel / Limit Settings ..... 9**
  - Travel limit setting ..... 9
  - Remote Programming Instructions ..... 9
  - Safety reverse force adjustment..... 9
  - Auto-close setting (Optional) ..... 10
  - Photo beam setting (Optional) ..... 10
  - Operate Terminal (Optional) ..... 10
  
- Packing list..... 14**
  
- Optional and Additional Accessories ..... 15**
  
- Warranty Registration..... 16**

To view our how to install video visit:  
[www.autoopeners.com.au](http://www.autoopeners.com.au)



# Installation Safety Warnings

This automatic garage door opener is designed and tested to offer safe service provided it is installed and operated in strict accordance with the following safety warnings. Failure to comply with the following instructions may result in death, serious personal injury or property damage.

## GENERAL WARNINGS

- The door may operate unexpectedly, therefore do not allow anything to stay in the path of the door.
- When operating the manual release while the door is open, the door may fall rapidly due to weak or broken springs or due to being improperly balanced.
- Do not disengage the opener to manual operation with children / persons or any objects including motor vehicles within the doorway.
- If the door is closing and is unable to re-open when obstructed, discontinue use. Do not use a door with faulty obstruction sensing.
- When using auto close mode, a Photo Electric beam must be fitted correctly and tested for operation at regular intervals. Extreme caution is recommended when using auto close mode. All safety rules must be followed.
- Due to the risk of entrapment under the door, ensure you test the safety auto reverse function monthly.

## ELECTROCUTION RISKS

- Place opener in a protected area so it does not get wet.
- Do not spray with water.
- Disconnect the power cord from mains power before making any repairs or removing covers. Only experienced service personnel should remove covers from the opener.
- If the power supply cord is damaged, it must be replaced by an Auto Openers Service Agent or suitably qualified person.
- Connect the opener to a properly earthed general purpose 240V mains power outlet installed by a qualified electrical contractor.

## CAUTIONS

- If garage has no pedestrian entrance door, an emergency access device or battery backup should be installed. This accessory allows manual operation of the garage door from outside in case of power failure.
- Practice correct lifting techniques (carton weighs approx. 9kgs).
- Practice correct lifting techniques when required to lift the door as per installation instructions.
- Ensure ladder is the correct type for job.
- Ensure ladder is on flat firm ground that will take the weight without the legs sinking.
- Ensure user has 3 points of contact while on ladder.
- Place a 2 meter exclusion zone around area under the door while it is unsecured.
- Do not move under a door while it is on the door support (or ladder).
- Follow the installation instructions.
- Fit door support (or ladder) snugly under door before removing bracket.
- Ensure door support (or ladder) is on flat ground.
- Examine the door installation, in particular, springs and mountings for signs of wear, damage and imbalance.
- The garage door must be well balanced. Sticking or binding doors must be repaired by a qualified garage door installer prior to installation of the opener.
- Remove or disengage all garage door locks and mechanisms prior to installation of the opener.
- Never plug in and operate opener prior to installation.
- Keep hands and loose clothing clear of door and guides at all times.
- DO NOT operate the opener unless the garage door is in full view and free from objects such as cars and children/people. Make sure that the door has finished moving before entering or leaving the garage.
- Educate children about garage door safety, keeping transmitters and remote controls of out children's reach due to the potential risk of injury or death.



To view our how to install video visit:  
[www.autoopeners.com.au](http://www.autoopeners.com.au)

# Installation Instructions

## SAFETY INSTRUCTIONS FOR INSTALLATION

Not following the installation instructions can lead to serious injury or equipment failure. Ensure you follow the steps carefully to avoid complications.

## Site Requirements

- a. Look at the ceiling:
  - i. Is it plastered? The opener is mounted to a perforated angle which **MUST** be securely fastened to a structural support. You will need to locate the structural beams in the ceiling which are generally 400mm apart.
  - ii. Does it have exposed beams? The opener is mounted to a perforated angle which must be securely fastened to a structural support like the exposed beams. You may need to install a 40mm thick board (not supplied) between structural supports.
- b. Look at the wall above the garage door.
  - i. Is it brick? The wall bracket **MUST** be securely fastened to the wall with suitable screws and ensure it does not move.
  - ii. Is it timber? The wall bracket **MUST** be securely fastened to a structural support. You may need to install a 40mm thick board (not supplied) between structural supports to fasten the wall bracket to.

### Test the following before commencing installation:

- a. The door **MUST BE** in good operating condition.
- b. Manually move the door up and down, the door should move freely without binding or sticking.
- c. The maximum force required to move the door should not exceed 15kg.
- d. Lift the door to about halfway. When released, the door should stay in place.



## Setup Requirements

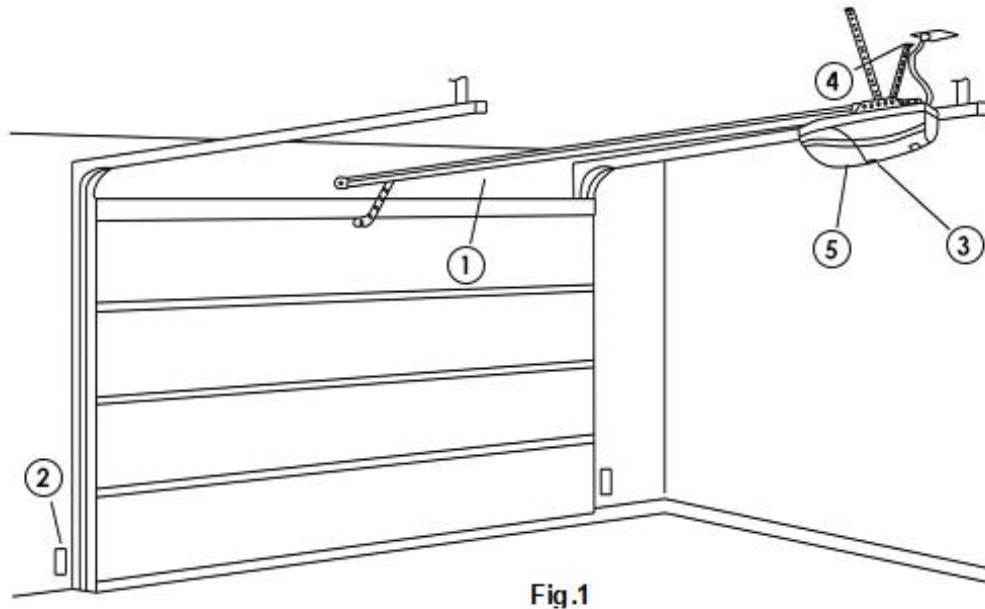
- a. The opener must be installed in a dry location, protected from weather. Moisture and corrosion damage is not covered by warranty.
- b. The opener requires properly earthed 3 pin single phase power within an arm's length of the door motor / opener and at a suitable height.
- c. Requires a **MINIMUM HEADROOM** of 57mm between the highest point of the door's travel and the ceiling.



**WARNING! The Opener must be securely fastened to structural supports, otherwise opener failure may cause serious personal injury and / or property damage.**

To view our how to install video visit:  
[www.autoopeners.com.au](http://www.autoopeners.com.au)

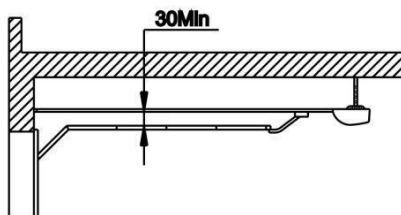




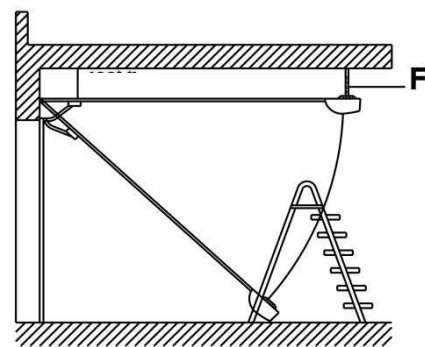
Referring to Fig. 1 for recommended installation

- 1) Track
- 2) PE Safety Beams
- 3) Motor Powerhead

- 4) Powerpoint / Power Cord
- 5) Light Cover



**Fig.2**



**Fig.3**

Maintaining a minimum gap of 30mm from the top panel's maximum height (Fig. 2).

Make sure the track is horizontal and vertical to the shaft. Make sure the connection of hanging bracket F and ceiling is firm enough (Fig. 3).

**Warning:** Make sure the opener is affixed to noggins in ceiling and not to plasterboard. Failure to have a safe and secure fixing will lead to opener falling, and cause serious persons and /or property damage.

## Installation (steel track)

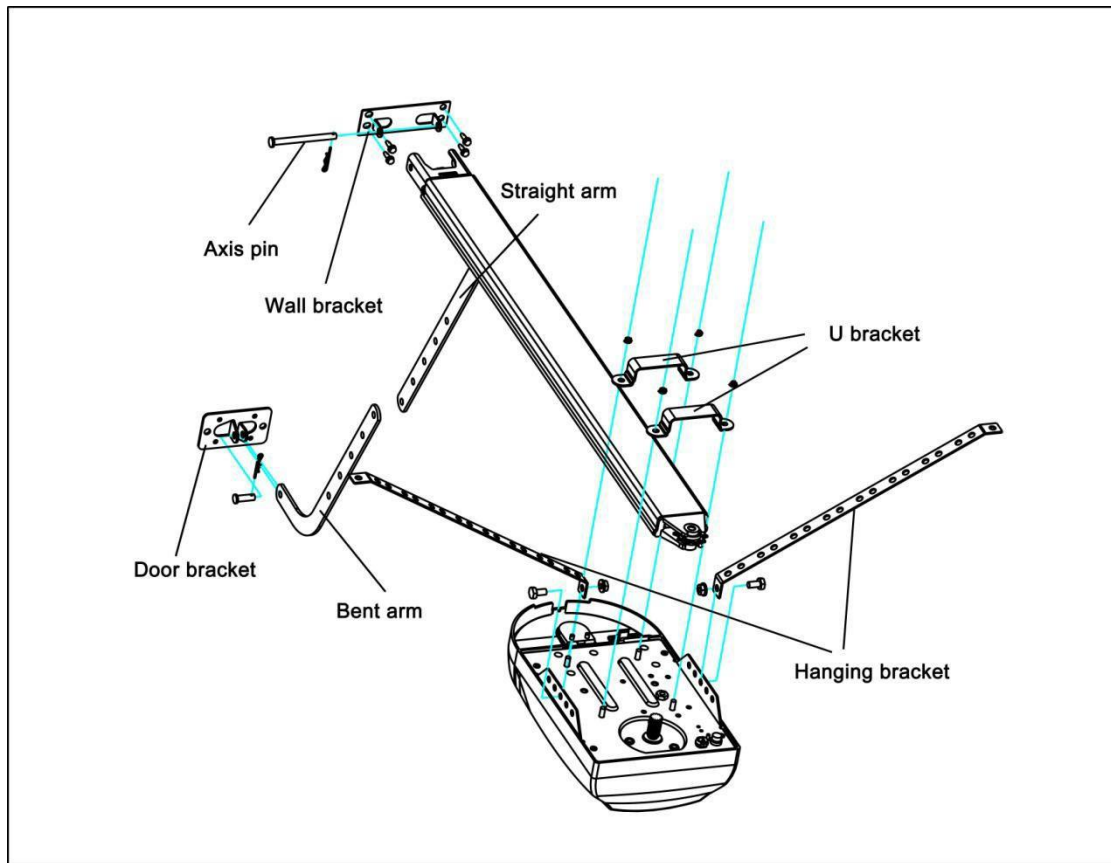


Fig. 6

1. Fix the wall bracket to the wall 2cm-10cm over the shaft or intermediate bracket (depending on the actual installation space).
2. Fix the steel track to the wall bracket with axis pin. (Fig. 6)
3. Mount the garage door opener to the track by U bracket.
4. Attach the opener onto the ceiling by the hanging bracket.

**NOTE:** Make sure the track is horizontal and vertical to the shaft. Make sure the connection of hanging bracket and ceiling is firm enough.

5. Attach the clutch cord.
6. Release the clutch, try to open and close the door by hand. Make sure there is no resistance between door panel and track.
7. Attach the door bracket to the door.
8. Attach the bent arm to the straight arm with the bolts provided.
9. Plug in the power cord and turn power on to the motor unit.

## Installation (Steel Track) of 3 Piece Rail

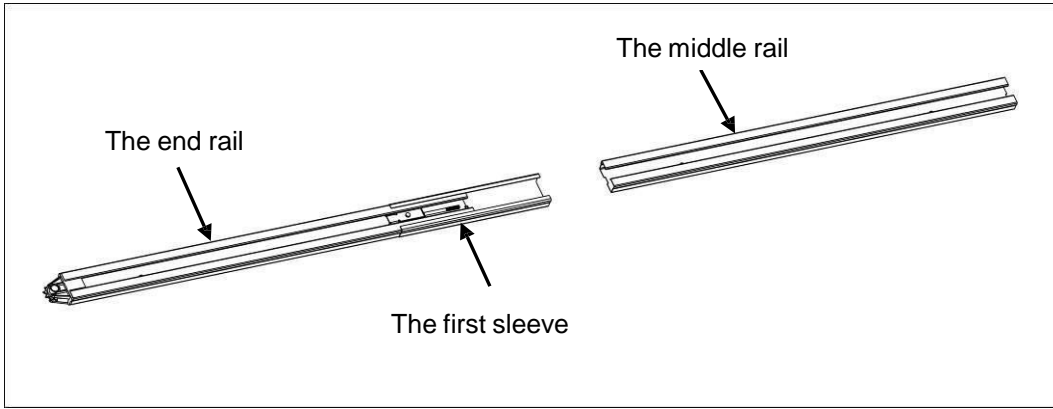


Fig. 7

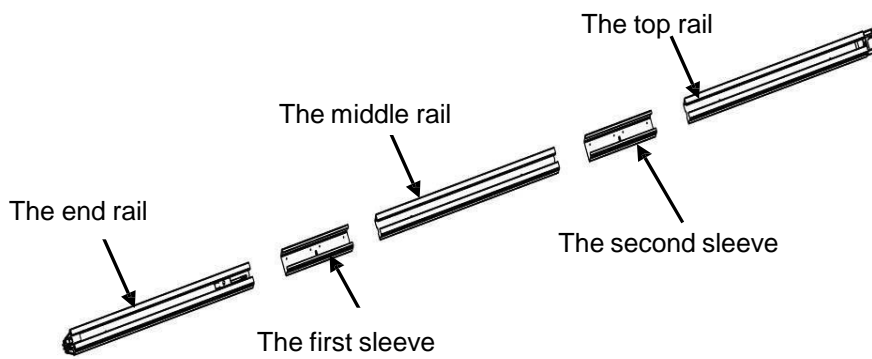


Fig. 8

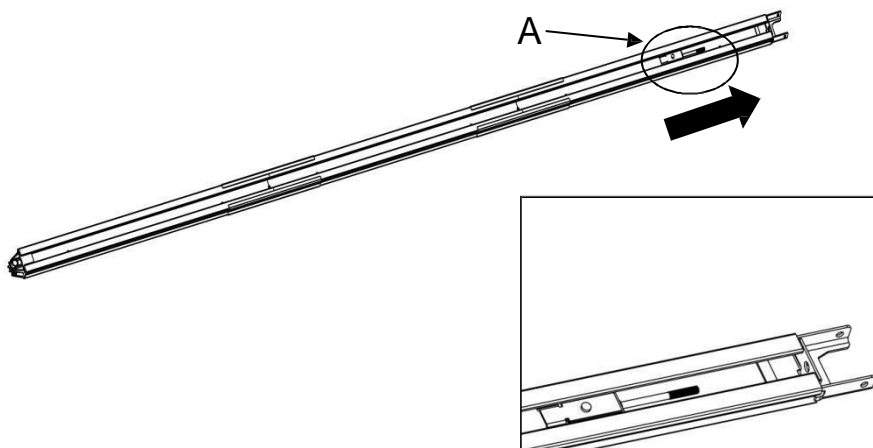


Fig. 9

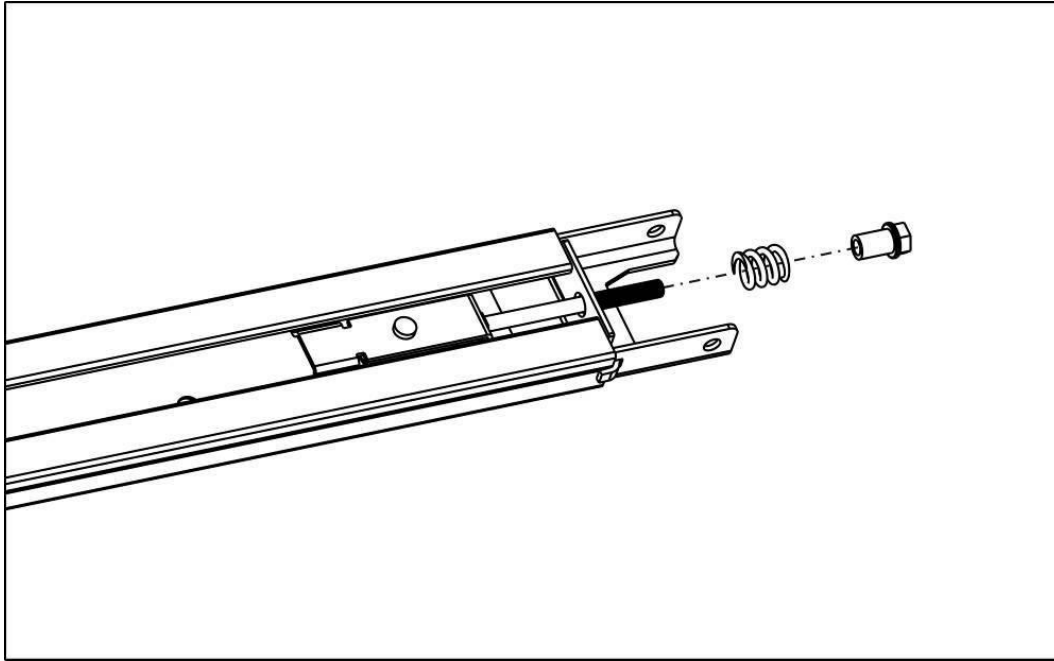


Fig. 10

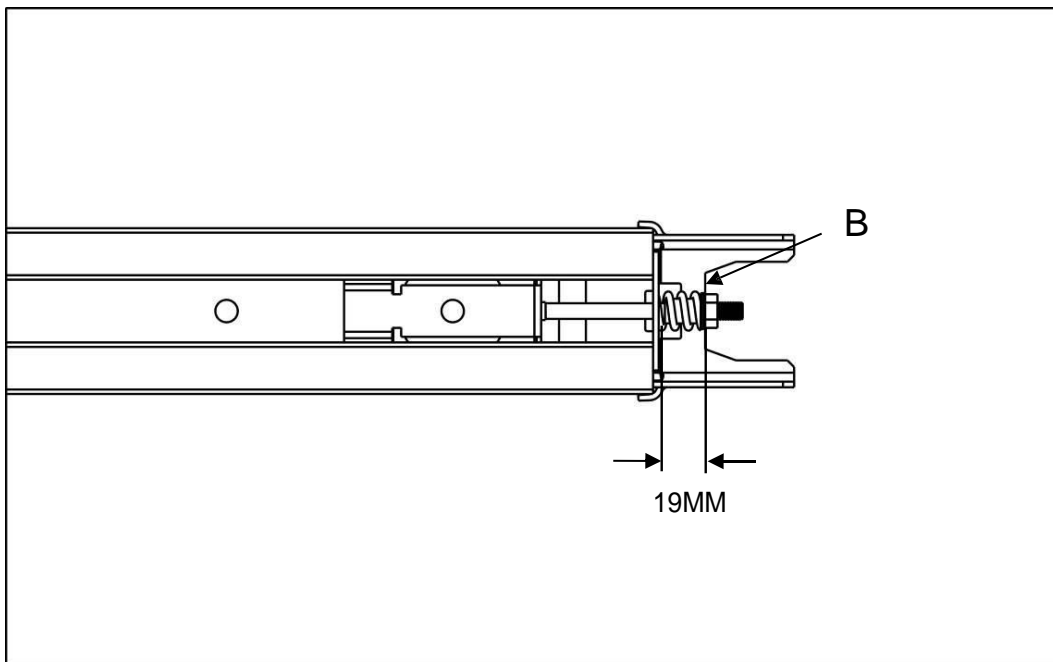


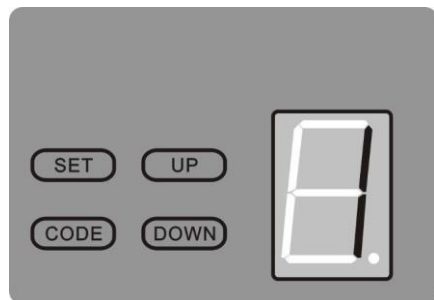
Fig. 11

1. As per Fig.7, slide the end rail into the 1st sleeve & slide the middle rail into the 1st sleeve.
2. As per Fig.8, slide the 2nd sleeve to the other end of middle rail & slide the top rail into the 2nd sleeve.
3. Remove the plastic film on the end rail , cut the plastic cable tie on the screw rod "A".
4. As per Fig.9, pull the screw rod "A" along with inner chain to the end of top rail.
5. As per Fig.10, undo the nut & spring.
6. Tighten the nut to the right position as shown in Fig.11 and cut the plastic cable tie on sprocket. The rail is now assembled and read for installation.

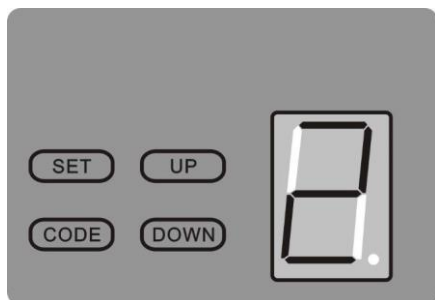


# Door Travel / Limit Settings

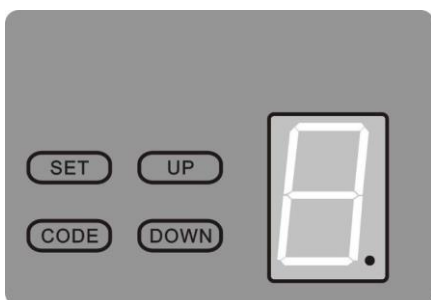
## 1. Travel limit setting



Press the 'SET' button and hold on until the LED displays figure '1'; then adjust the up limit by pressing 'up' button. Fine-tuning 'up' or 'down' button to determine the final up limit position then press the 'set' button. The display will now change to '2'. Adjust the down limit by pressing the 'down' button. You can fine tune by pressing the 'up' or 'down' buttons to determine the final down limit position and then pressing the 'set' button. The opener will operate a cycle automatically to remember the limit positions and the opening & closing force.



## 2. Coding the Remotes into the Motor



Press and hold the 'Code' button until the red LED light displays in the bottom right corner of the screen. Press any button on the transmitter once and the LED will go out. Press the same button on the remote control, the LED will display '11' as the dot flashes rapidly. Your transmitter has been coded in.

### To Delete A Transmitter

Press and hold the 'Code' button for 8 seconds or until the display shows 'C'. All stored codes will be deleted.

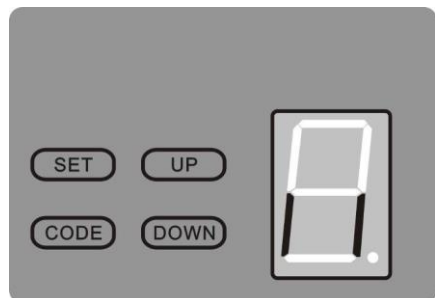
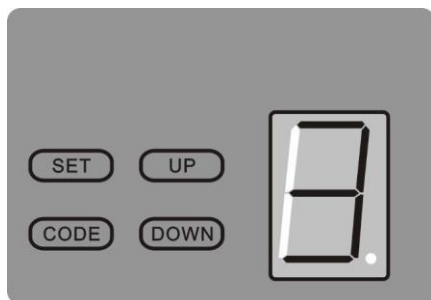


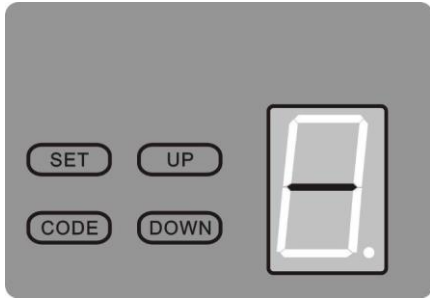
Fig. B

## 3. Safety reverse force adjustment



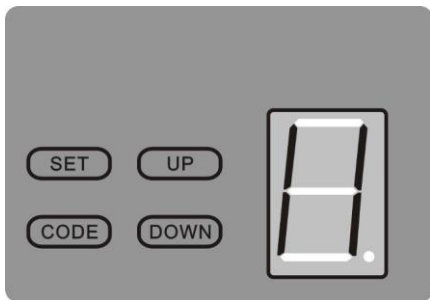
Press the 'SET' button and hold on until the LED displays '3'. This will enable the force adjustment mode. Press the 'UP' button to increase the force and 'DOWN' button to decrease the force. The maximum force is 9 and the minimum is 1. Press the 'SET' button to confirm. It is strongly recommended you test the force setting with a block of wood on the floor to ensure that the safety reverse function is operating as designed. This test must be performed monthly to avoid entrapment of animals or children.

#### 4. Auto-close setting (Optional)



Press the 'UP' button and hold on until the LED displays '-'. Every time you press the 'UP' button, the auto-close time will increase by 1 minute, the maximum time is 9 minutes. By pressing the 'down' button, the auto-close time will decrease by 1 minute. The auto-close function will be turned off when LED displays 0. Press the 'SET' button to confirm.

#### 5. Photo beam setting (Optional)



Please note, your Photo Beams must be installed and lined up correctly before proceeding.

Press the 'DOWN' button and hold on until the LED displays '11', then press 'UP' button until the LED displays 'H'. The photo beam function is now available. Press the 'DOWN' button until the LED displays '11' to cancel this function. When setting is finished, press 'SET' to confirm. When connecting pulsed quantity control infrared sensor, wiring as per Fig.12. When infrared sensor is controlled by switch value, wiring as per Fig.13. **Notice: Disable the photo beam function when you don't use photo beam sensor.**

#### 6. Operate Terminal

Connecting a switch to this terminal, you can use the switch when maintaining or the transmitter is left in garage(Fig.12).

# Optional Functions

## 1. The Operate interface available

Add another Operate button to open or close the door.

## 2. The photo beam interface available

When connecting pulsed quantity control infrared sensor, wiring as per Fig.12. When infrared sensor is controlled by switch value, wiring as per Fig.13. **Notice: Close the photo beam function when you don't use photo beam sensors.**

## 3. Flash light function (optional)

There are corresponding interfaces for this function and provide 24v-35v flash light voltage. Connect the flash light with DC 24v-28v, current $\leq$ 100mA. When using flash lights off 220V AC, please match an adapter, and wiring as required(Fig.14).

## 4. Pass door (SD) protection (optional)

This function ensure that the door can't be opened unless the small pass door is closed. The door panel won't be damaged. Connect according to Fig.15 .

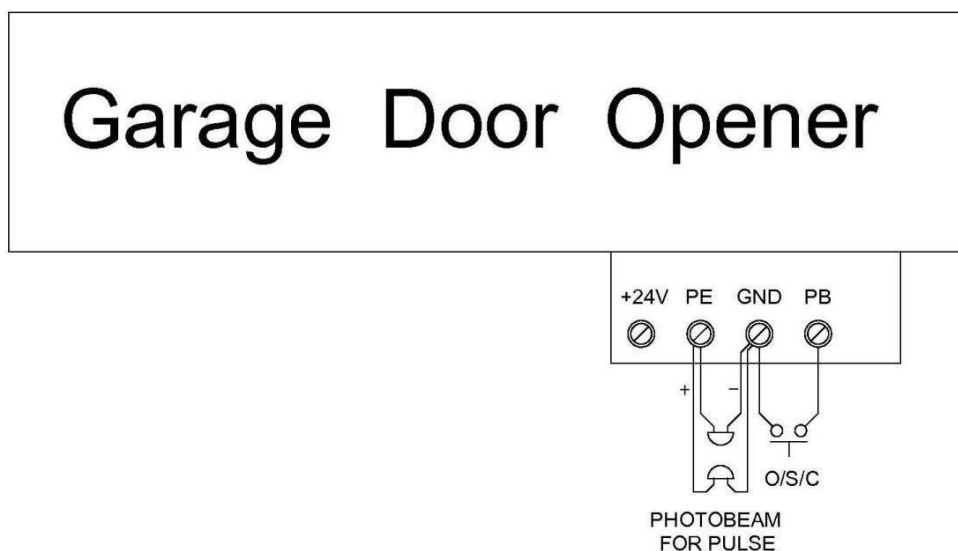
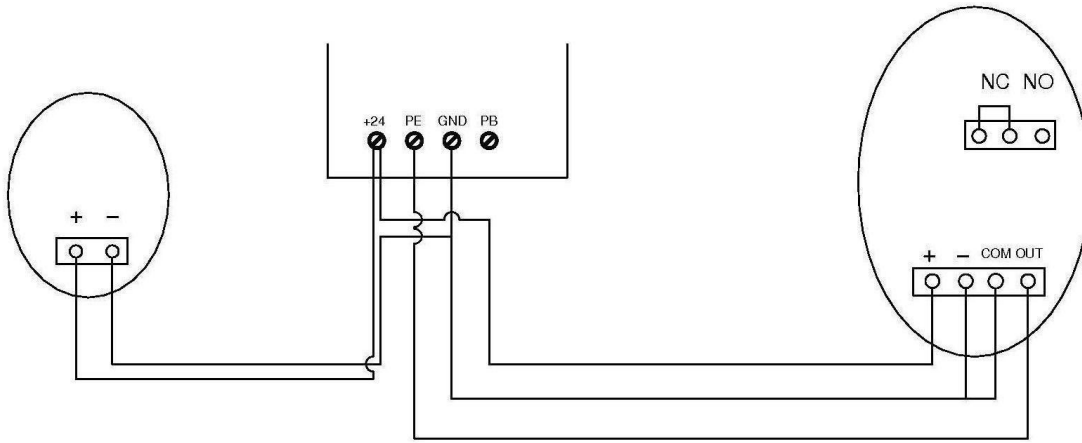


Fig. 12



Connection of photo beam/switch control

Fig. 13

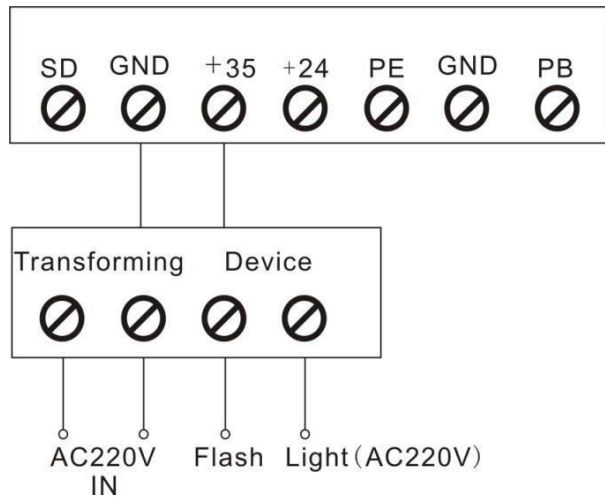


Fig. 14

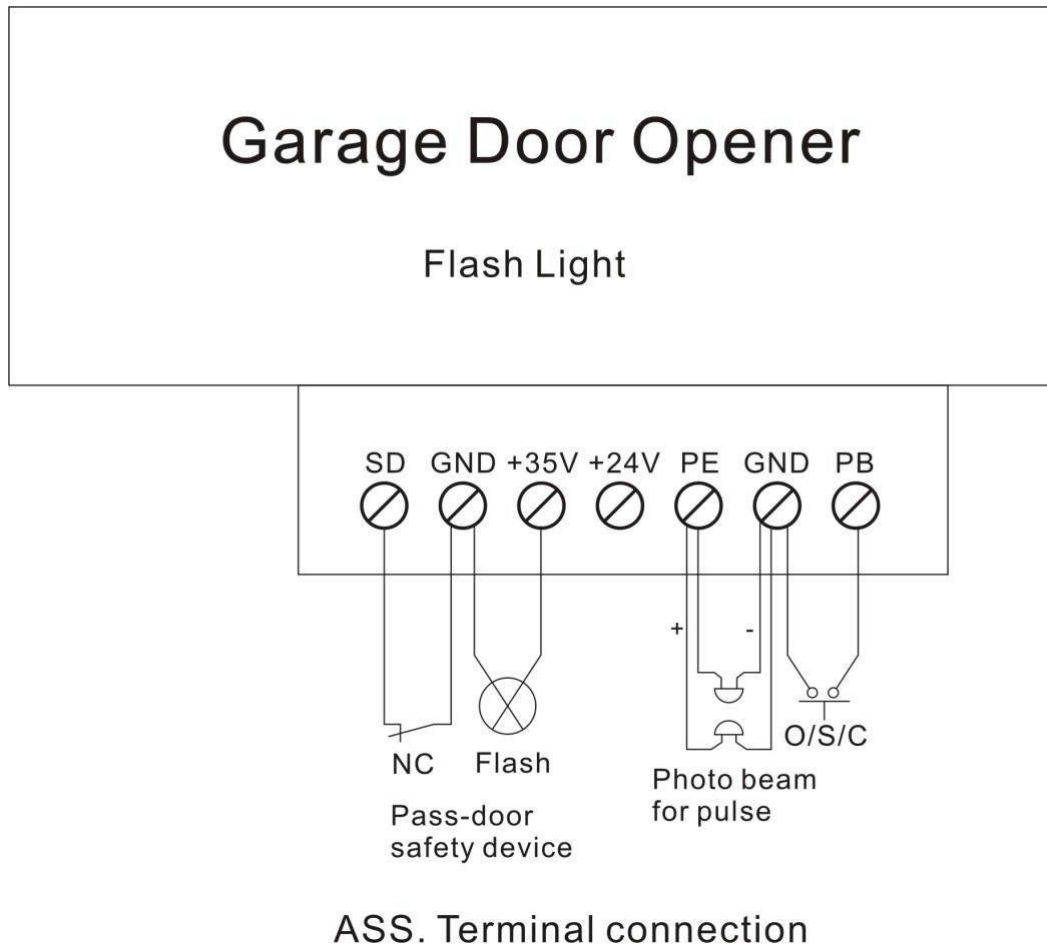


Fig. 15

## Packing list

Item	Quantity
Door opener	1
Track ( incl. Clutch)	1
Remote control	2
Door bracket	1
Wall bracket	1
"U" bracket	2
Hanging bracket	2
Clutch cord	1
Cord pendant	1
Bent arm	1
Straight arm	1
Fixing kit	1

<b>Model</b>	<b>SO-1000F</b>
Power Input:	200-240V AC 50/60Hz
Output power:	245W
Max force:	1000N
Open/Close speed:	0.15m/s
Lamp:	LED, 24V DC
Light time:	3 minutes
Decoding:	Rolling code
Transmitter power:	23A 12V battery
Radio frequency:	433.92MHz or other on request
Working temperature:	-20°C~40°C
Relative humidity:	<90%
Max door area:	14m <sup>2</sup>
Dimensions:	400 x 250 x 150mm

## Optional & Additional Accessories

Photo Electric Safety Beams.....\$119

*Recommended to avoid injury*

Battery Backup.....\$99

*Never lose power again!*

Keyring Remote Control.....\$49

Wall Button Remote.....\$49

Extended Three Year Warranty.....\$49

Extended Five Year Warranty.....\$69

**ALL FREE SAME DAY SHIPPING**

Warranty extensions must be bought within 60 days of purchase

**1300 42 88 66**



To view our how to install video visit:  
[www.autoopeners.com.au](http://www.autoopeners.com.au)

**PLEASE NOTE:**

- This Warranty is in addition to any statutory, non-excludable guarantees or warranty rights and remedies under the law. See section 5.
- This warranty applies to the original purchaser only and may not be transferred.
- This Warranty is to be read in conjunction with the owner's copy of the installation instruction manual.
- In this warranty, 'Auto Openers Representative' means an entity authorized by Auto Openers to service Auto Openers products. Please check the Auto Openers website for details.

**It is a condition of the below warranties that the manual operating (opening and closing) force of the door by hand does not exceed 20kg.**

MODEL	WARRANTY	Max Door Weight
SECTIONAL OPENER	Up To Five (5) Years	110kg
<b>EXTRAS</b>		
ACCESSORIES	1 year	

NOTE: CONSUMABLES (eg Batteries in remote control transmitters, light bulbs and fuses) are not covered by this warranty

**1. MAKING A CLAIM**

- (a) The product parts in the above table will operate in accordance with the product manual for the time period shown, provided you comply with the manufacturer's instructions concerning installation, operation, maintenance and testing. Failure to do so may void all or part of this warranty.
- (b) If during the relevant warranty period, a product part in the table above appears to contain a defect, call the retailer from whom you purchased the product, or Auto Openers on 1300 42 88 66, and they will instruct you what to do next.
- (c) You are responsible for the cost of making a claim under this Warranty. Additional access expenses where the Product is not readily accessible must be borne by you.
- (d) If Auto Openers or an Auto Opener's Representative confirms the product is defective and covered by this Warranty, Auto Opener will repair or replace it (at Auto Opener's sole option) at no cost to you. Goods presented for repair may be replaced by refurbished goods of the same type rather than being repaired. Refurbished parts may be used to repair the goods.

**2. WARRANTY CONDITIONS**

It is a condition of this warranty that:

- (a) You provide a copy of the receipt of original purchase of the Product, and the serial number of the Product which can be found on the label adhered to the Product.
- (b) The Product has been serviced within 18 months of installation and thereafter every 2 years.
- (c) You must register your warranty online within 60 days of purchase

**3. WARRANTY EXCLUSIONS**

This warranty excludes damages resulting from:

- (a) Excessive wear and tear that may cause the product to fail;
- (b) Accidental, deliberate or negligent damage or damage cause by insects;
- (c) Blown fuses, electrical surges, power surges or power spikes or faulty or unsuitable electrical wiring of structures to which the product is affixed;
- (d) Theft, fire, flood, rain, water, lightning, storms or any other acts of God;
- (e) Salt or other corrosion due to environmental conditions,
- (f) Any installation, configuration or use of the product contrary to the instructions supplied with the product;
- (g) Maximum continuous operating time exceeding 1 minute in 10 minutes;
- (h) The manual operating (opening and closing) force of the door by hand exceeding 20kg;
- (i) Door surface area and/or weight exceeding amounts listed in table above respectively;
- (j) The door used with the product not being in safe working order and condition;
- (k) Any modification to the product or acts or omissions of any person in respect of the product which are not authorized by Auto Openers;
- (l) Installation of a residential garage door opener in a commercial or industrial premises or in a dwelling other than a single-family dwelling;
- (m) Radio or electrical interference or lack of availability of signal.





**4. OTHER CONDITIONS**

- (a) This Warranty is not transferable.
- (b) No additional warranty will apply for Products repaired during the relevant warranty period.
- (c) Where the Product is sold by any person other than Auto Openers, except for the warranty set out above, such person has no authority from Auto Openers to give any warranty or guarantee on Auto Opener's behalf in addition to the warranty set out above.

**5. STATUTORY GUARANTEES OR WARRANTIES IN AUSTRALIA & NEW ZEALAND**

If you are a consumer under the Australian Consumer Law, our goods come with guarantees that cannot be excluded under the Australian Consumer Law. You are entitled to a replacement or refund for a major failure and for compensation for any other reasonably foreseeable loss or damage. You are also entitled to have the goods repaired or replaced if the goods fail to be of acceptable quality and the failure does not amount to a major failure. This warranty certificate and other statements contained in this document or other Auto Openers documents given to you do not exclude, restrict or modify the application of all or any of the provisions of the Australian Consumer Law.

Subject to your non-excludable rights under the Australian Consumer Law, Auto Openers expressly excludes any liability for consequential loss, incidental or indirect damages (including but not limited to damages for loss of business profits, business interruption and loss of business information) due to a defect of the Product. In particular, any loss or damage caused to other equipment or accessories used with the product or any loss resulting from a delay in repair is excluded to extent permitted by law.

---

## Warranty Registration

Register your warranty online with Auto Openers to receive a full replacement warranty. Simply visit [www.autoopeners.com.au/warranty/registration](http://www.autoopeners.com.au/warranty/registration) to register. After 60 days of purchase, failure to register your warranty will result in a Limited 1 Year Warranty.

Name: \_\_\_\_\_

Email: \_\_\_\_\_

Serial Number: \_\_\_\_\_

Phone: \_\_\_\_\_

Sold By: \_\_\_\_\_

Installed By: \_\_\_\_\_

Invoice: \_\_\_\_\_

Installation Date: \_\_\_\_/\_\_\_\_/\_\_\_\_

**Failure to Register Within 60 Days = 1 Year Warranty**



To view our how to install video visit:  
[www.autoopeners.com.au](http://www.autoopeners.com.au)

# Sectional Opener Instruction Manual

To view our how to install video visit:  
[www.autoopeners.com.au](http://www.autoopeners.com.au)

